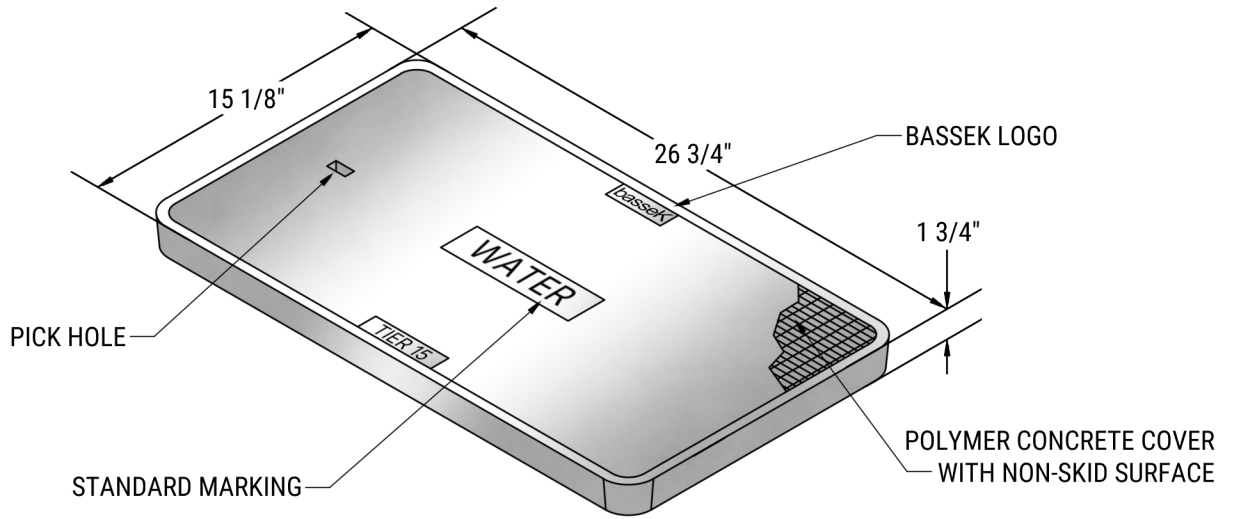


Item #:	<b>BC152702</b>
Description:	Polymer Concrete Cover
Weight:	32
Load Rating:	Tier 15
Pallet Quantity:	30
Pallet Weight:	1010
Boltdown:	N/A
Logos:	Available Upon Request
AMI Options:	Available Upon Request



Bassek Products, LLC  
 PO Box 16118  
 Encino, CA 91416  
 (818) 252-9494  
 WWW.BASSEK.COM