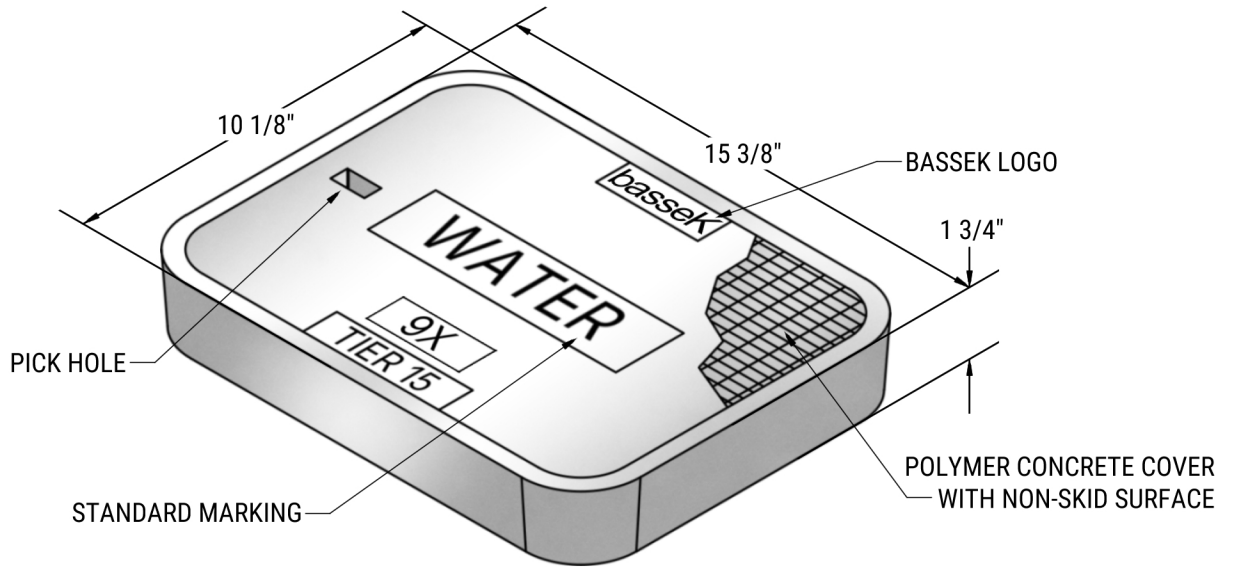


Item #:	BC101502-9X
Description:	Polymer Concrete Cover
Weight:	12
Load Rating:	Tier 15
Pallet Quantity:	100
Pallet Weight:	1250
Boltdown:	N/A
Logos:	Available Upon Request
AMI Options:	Available Upon Request



Bassek Products, LLC
 PO Box 16118
 Encino, CA 91416
 (818) 252-9494
 WWW.BASSEK.COM